

AC-24-12(006) Volvo FH(4) & FM(4) Camera connections with and without touchscreen (TS) monitor

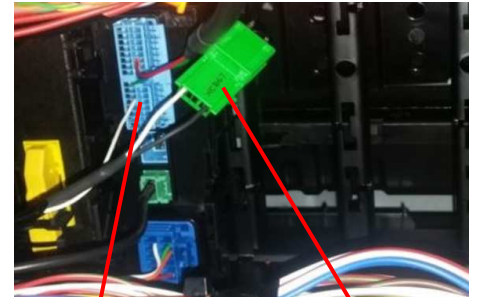
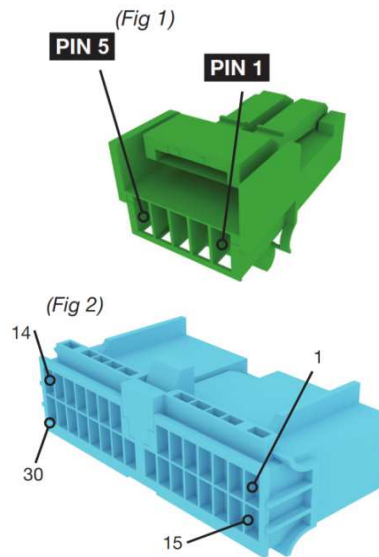


PRODUCT FITTING GUIDE



- The vehicle must have Volvo Video Switcher (VS) installed. VS will be found below the central fuse box in the centre of the dashboard.
- 30-way **Blue** connector (Fig.2) may be required for connection to VS (Volvo part number 3962003).
- 5-way **Green** connector (Volvo part number 978305) (Fig.1) may be required for connection to **TS**, (via a 5-pin housing in Volvo loom marked **XCB67**). Housing can be found near the VS.
- VS may require programming by Volvo to enable cameras.
- Camera 1 video and ground are connected via the **green** connector to the **TS**, all other cameras are to the VS as before.

Function	AC-24-12(006) Wire	Connector with touchscreen	Connector without touchscreen
Camera 1	Red	Blue Pin 9	Blue Pin 9
Camera 1	Black	Green Pin 2	Blue Pin 18
Camera 1	Blue	Blue Pin 8	Blue Pin 8
Camera 1	Yellow	Green Pin 1	Blue Pin 5
Camera 2	Red	Blue Pin 13	Blue Pin 13
Camera 2	Black	Blue Pin 18	Blue Pin 18
Camera 2	Blue	Blue Pin 14	Blue Pin 14
Camera 2	Yellow	Blue Pin 4	Blue Pin 4
Camera 3	Red	Blue Pin 12	Blue Pin 12
Camera 3	Black	Blue Pin 17	Blue Pin 17
Camera 3	Blue	Blue Pin 24	Blue Pin 24
Camera 3	Yellow	Blue Pin 3	Blue Pin 3
Camera 4	Red	Blue Pin 10	Blue Pin 10
Camera 4	Black	Blue Pin 16	Blue Pin 16
Camera 4	Blue	Blue Pin 11	Blue Pin 11
Camera 4	Yellow	Blue Pin 2	Blue Pin 2



Location of VS (light Blue 30 way connector) 5 way housing (marked XCB67) found in loom Near VS

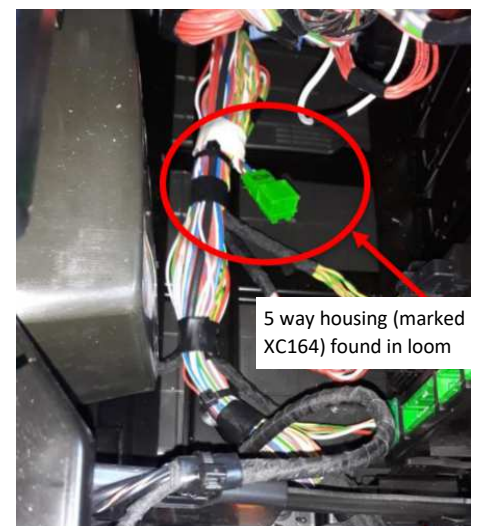
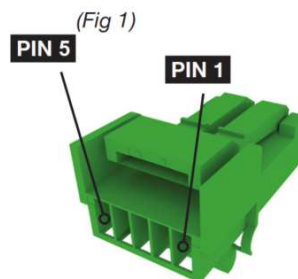
Ensure the vehicle manufacturer's guidelines are followed when installing this product. Brigade accepts no liability for subsequent damage due to incorrect installation.

AC-24-12(006) Volvo FH(4) & FM(4) Camera connections with Digital Side Display



- For single analogue camera only.
- No connection can be made at the rear of the SEM2 unit. All connections are extended to below the central fuse box.
- 5-way **Green** connector (Volvo part number 978305) required for connection (via a 5-pin housing in Volvo loom marked **XC164**). Housing can be found below the central fuse box.
- 24v supply on connector B2, pin 11 of the BBM triggers camera view.
- May require programming by Volvo to activate camera view.

Function	AC-24-12(006) Wire colour	Connector Digital Side Display
Camera 1 Power	Red	Green Pin 5
Not Connected	N/C	Green Pin 4
Camera 1 Logic	Blue	Green Pin 3
Camera 1 Ground	Black	Green Pin 2
Camera 1 Video	Yellow	Green Pin 1



5 way housing (marked XC164) found in loom

Ensure the vehicle manufacturer's guidelines are followed when installing this product. Brigade accepts no liability for subsequent damage due to incorrect installation.